



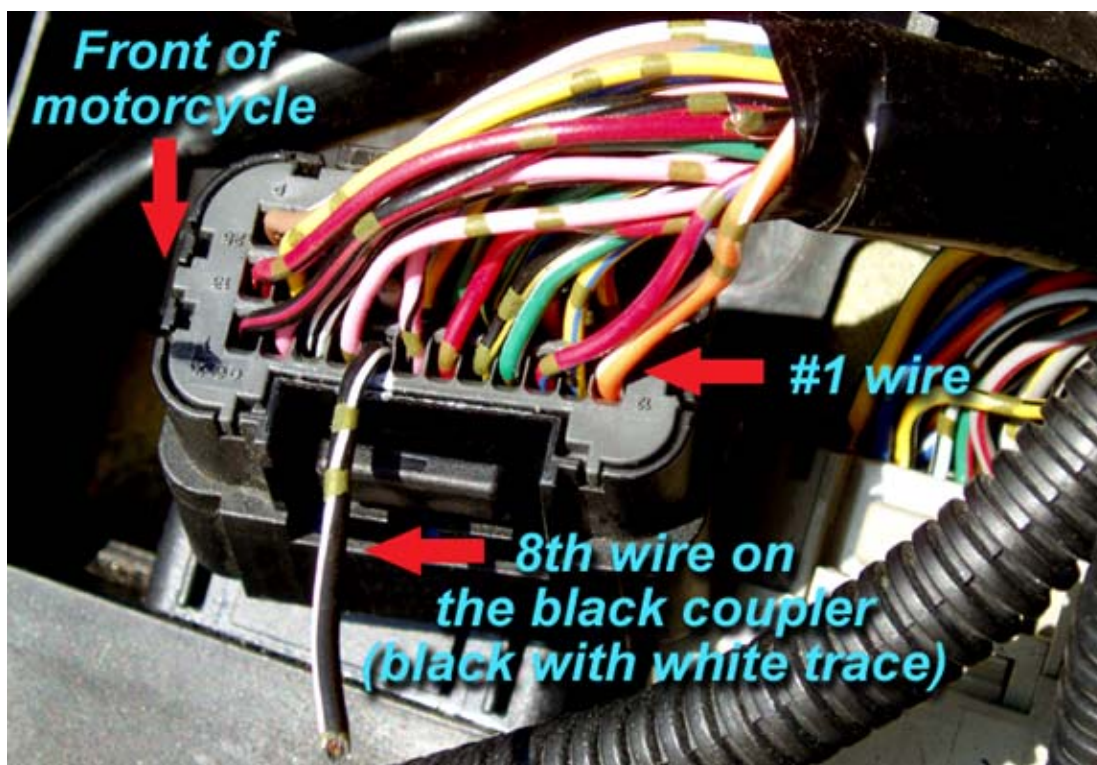
4064 East Patterson Road
Dayton, OH 45430
Phone: 937-912-0054
Fax: 937-912-0062

Suzuki GSX-R1000 (2007-08): Check F.I. Light Disconnect Instructions

When installing any Brock's Performance Products Exhaust System on the 2007-08 GSX-R1000, the following procedure must be followed to prevent illumination of the check F.I. Light.

Note: there is no need to use the "bowtie" plate provided with your system if you perform this modification to the wiring harness.

1. Disconnect the cables from the factory exhaust control valve actuator (EXCVA) located under seat/gas tank on the right side of the bike. DO NOT unplug the EXCVA electrical connectors from the wiring harness. Do not remove the EXCVA unit.
2. Remove the OEM exhaust system, exhaust control valve and cables.
3. Install your Brock's Performance Exhaust System according to the supplied instructions.
4. Locate the Black wire with White tracer (with two green dots) on the right side ECM coupler. See Photo below.
5. Cut the wire approximately 1.5 inches back from the coupler and insulate both ends with electrical tape.



The motorcycle may now be operated in normal fashion without the check F.I. light illuminated.

Note: the "bow-tie" plate included with your exhaust system is NOT required if the above modification is performed.

Brock's Performance Products are designed for Closed-Course Racetrack use ONLY

For more information go to www.BrocksPerformance.com, **click:** Installation Instructions

email: Advice@BrocksPerformance.com, or call the: 937-912-0054

Brock's Performance Products policies and warranty information: www.BrocksPerformance.com, **click:** Policies