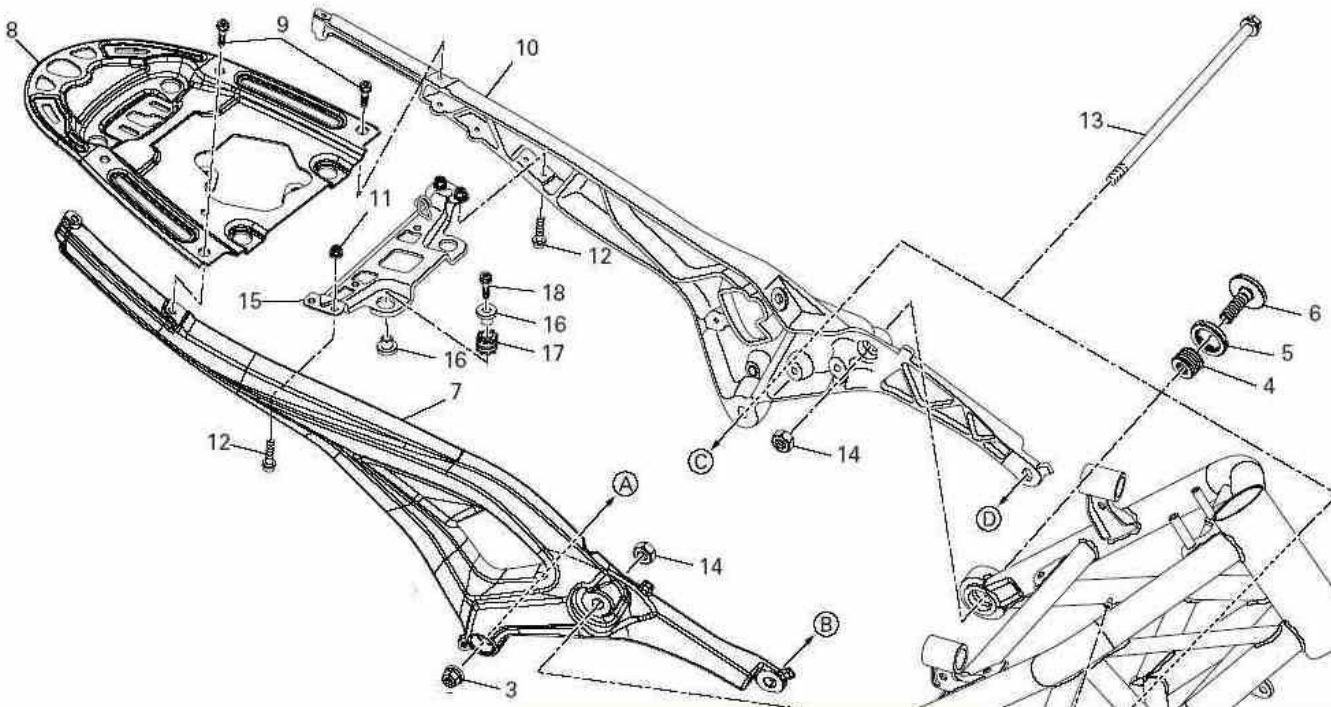




Brock's Performance • 4064 E. Patterson Road • Dayton, OH 45430 • Phone: 937-912-0054 • Fax: 937-912-0062

DUCATI MONSTER CARBON FIBER REAR FRAME (#166097) INSTALLATION INSTRUCTIONS

- 1.) Dismantle the stock aluminum frames by following the DUCATI workshop manual.
- 2.) The installation of the carbon frames will be in the reverse order.
- 3.) Due to the specific nature of the 3 feet long carbon composite half frame, the installer ought to install the entire rear end frame perimeter (i.e. carbon frames and bolt on ancillaries) but begin by leaving loose the nuts marked A, B, C, D, 13 and 14 and any other nut and bolt, those like 9, 12.
- 4.) Next install the stock components to complete the frame rear end, items like 8, 15, passenger foot peg brackets for the EVO and so forth.
- 5.) When all is squarely in place proceed with tightening the frame perimeter to DUCATI workshop manual recommendation.



All Brock's Performance products are designed for closed-course racetrack use ONLY!

For more information on Brock's Performance Warranty and Terms and Conditions: www.BrocksPerformance.com
> About Us > Terms and Conditions

For Questions and Comments: www.BrocksPerformance.com > Customer Service > Contact Us
or call the Tech Line 937-912-0054