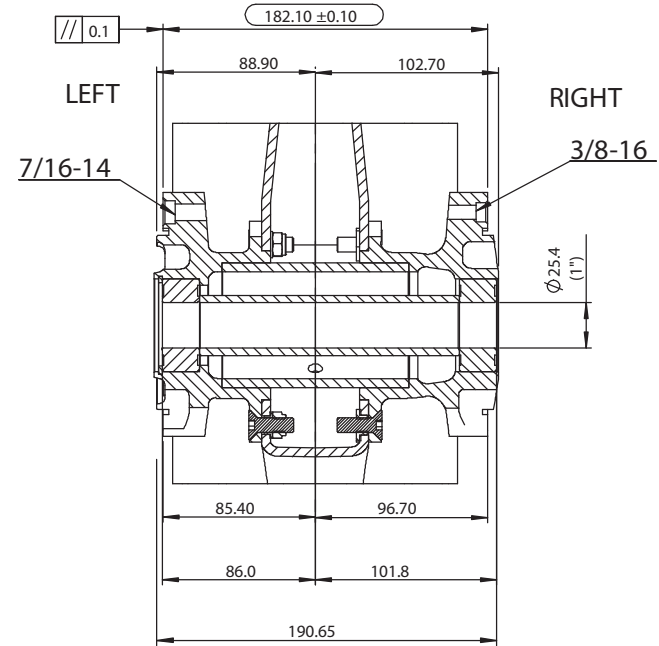
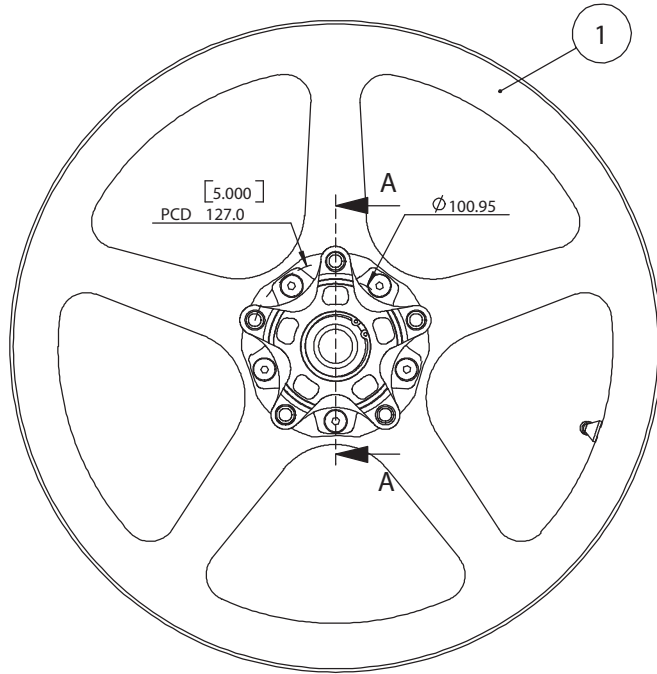
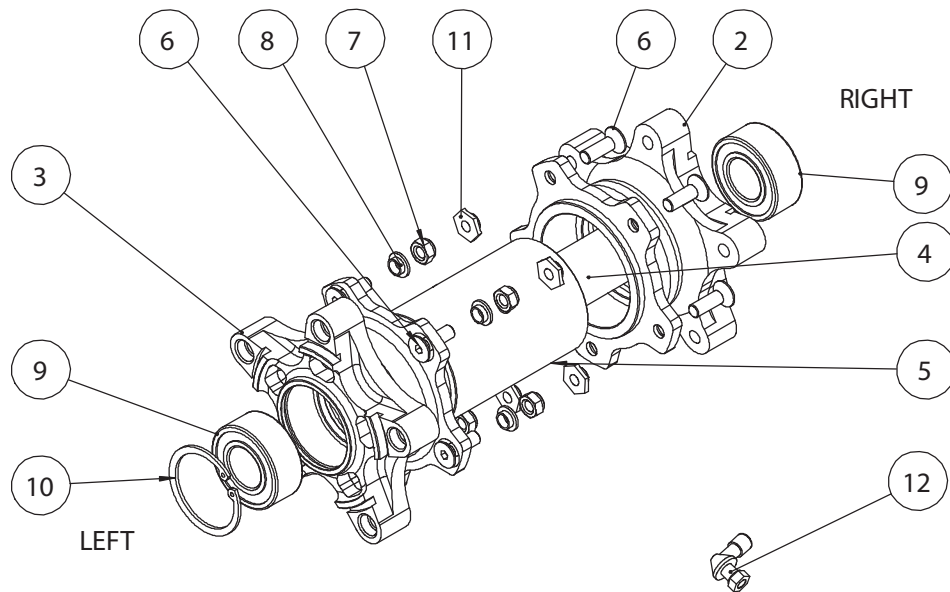


LEFT VIEW



A-A (1 : 3)



Note: On the 2007 V-Rod™ (VRSCX) the correct wheel spacer orientation is:

Thin spacer installed on the drive side and the wide spacer installed on the brake side.



Brock's Performance
4064 E Patterson Rd
Beavercreek, OH 45430
TEL : 937-912-0054
FAX: 937-912-0062

DESCRIPTION

Harley Davidson V-ROD
2006 CRW Assembly

DRAWING NO:

33005-8000-16-000