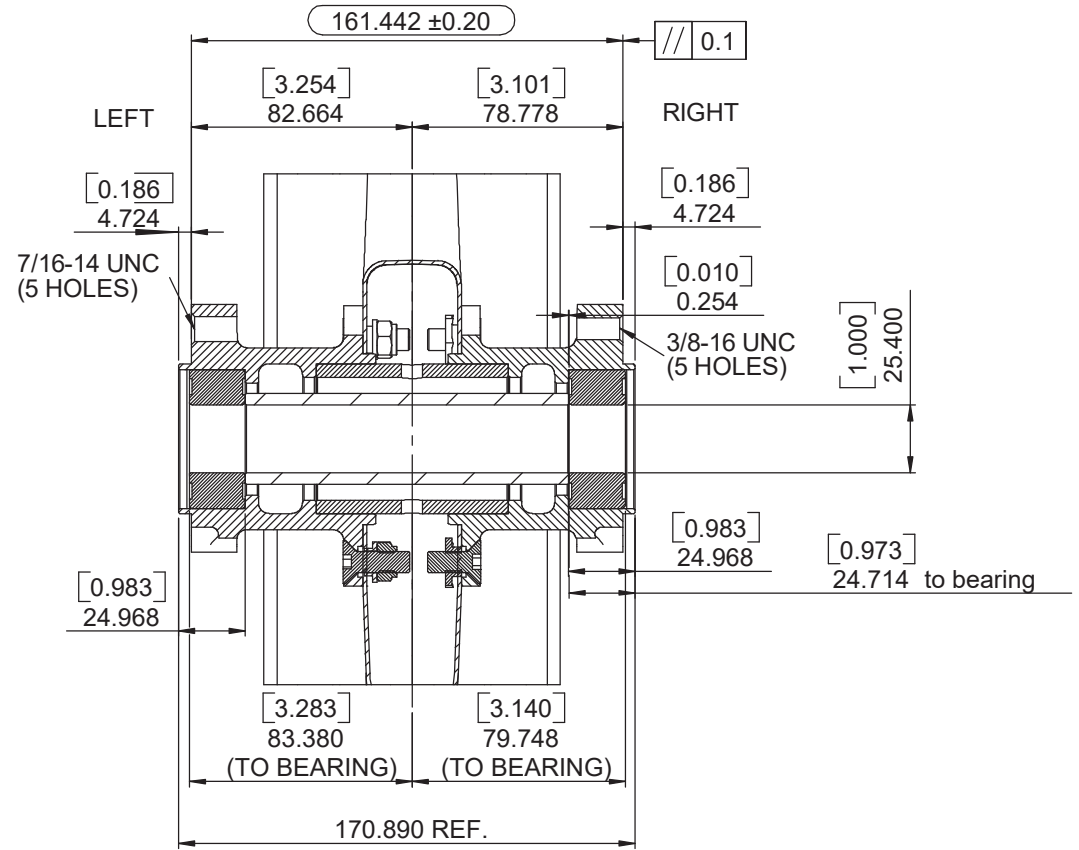
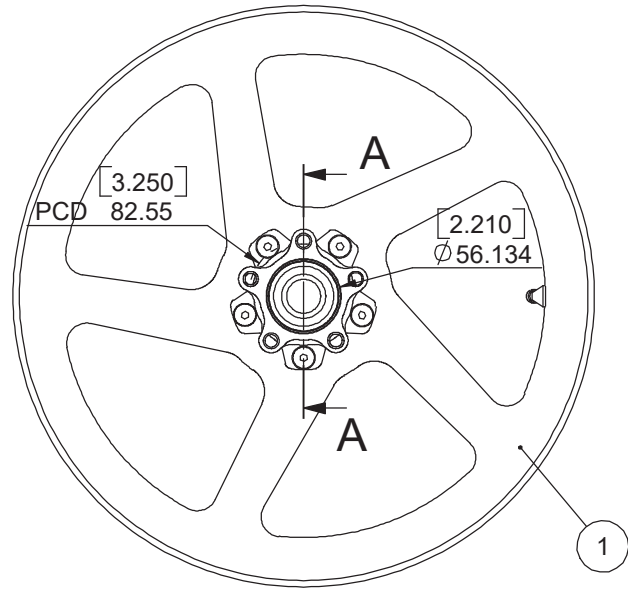
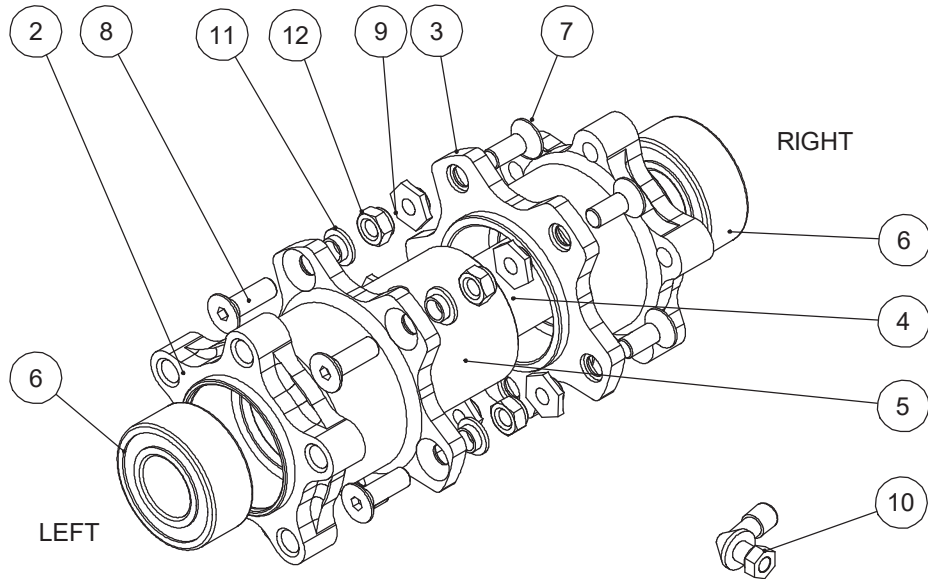


LEFT VIEW



A-A (1 : 2)



Brock's Performance  
4064 E Patterson Rd  
Beavercreek, OH 45430  
TEL : 937-912-0054  
FAX : 937-912-0062

DESCRIPTION  
**Harley Touring CRW  
Assembly**

DRAWING NO:  
**33007-7000-16-000**