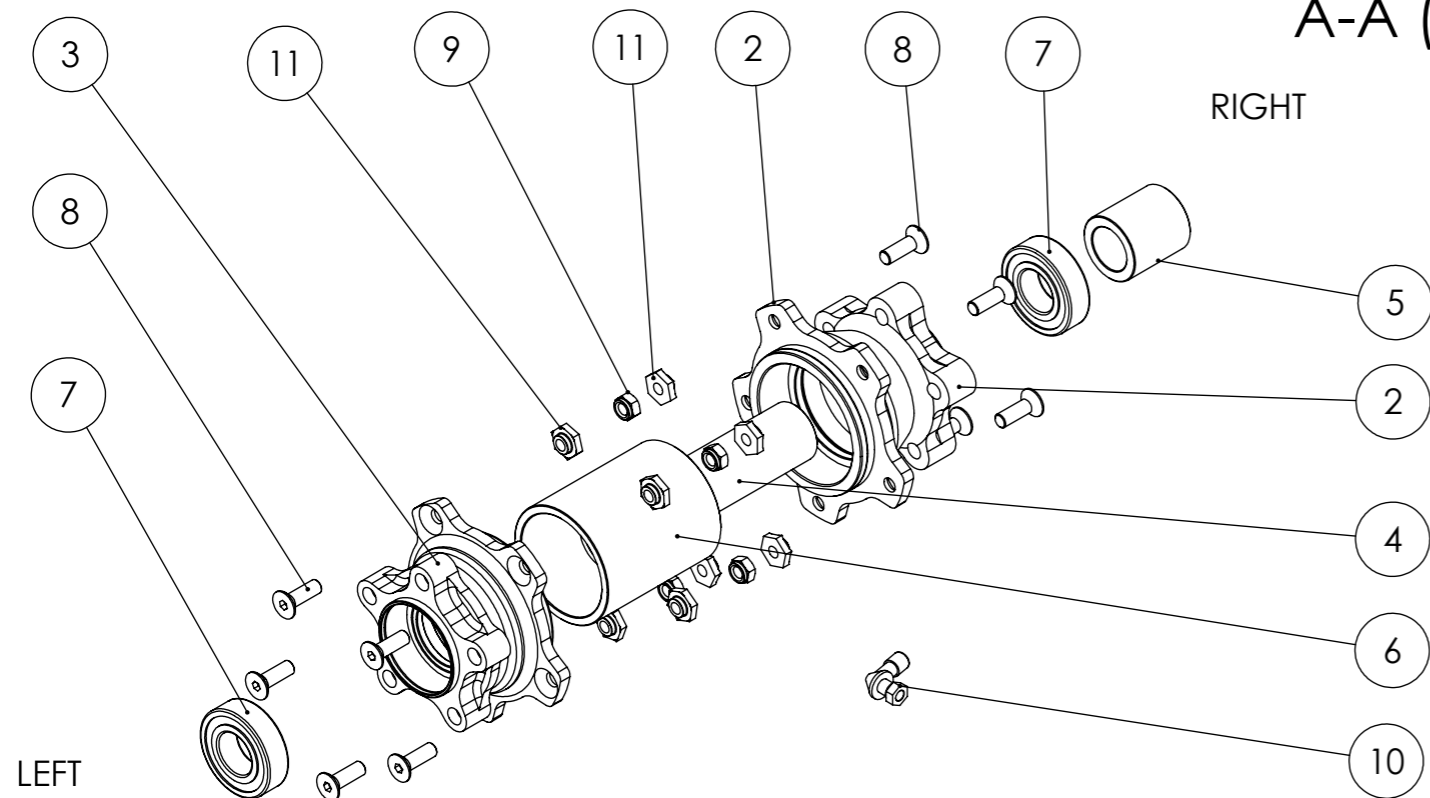


A-A (1 : 2.5)



Brock's Performance
4064 E. Patterson Rd.
Beavercreek, OH 45430
TEL : 937-912-0054
FAX: 937-912-0062

DESCRIPTION

HD XR 1200 CRW 5 Spoke Straight Assembly

DRAWING NO:

33011-8000-16-000-A