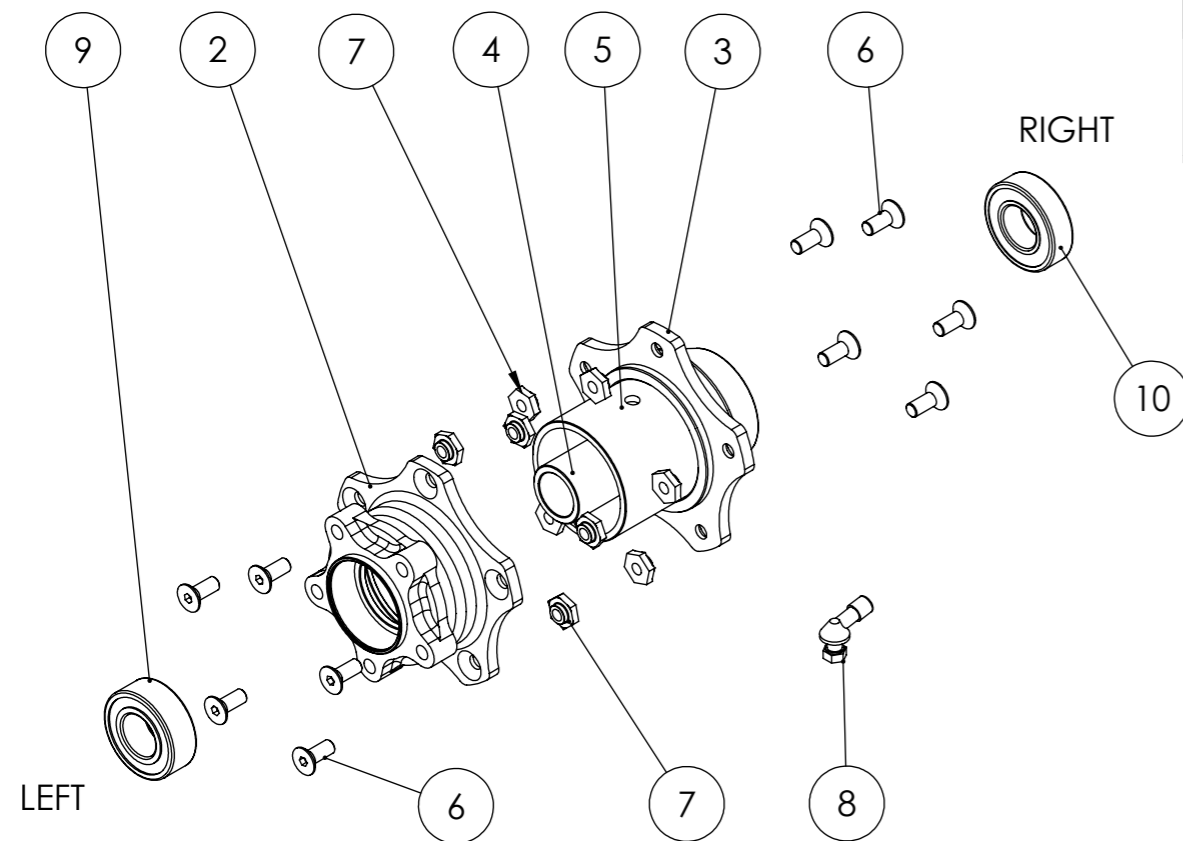


0.2 interference to allow for compression of inner spacer torque tightening

A-A (1 : 2)



 <p>BST</p> <p>blackstone TEK</p>	<p>Brock's Performance 4064 E Patterson Rd Beavercreek, OH 45430 TEL : 937-912-0054 FAX: 937-912-0062</p>
	<p>DESCRIPTION</p> <p>XL 1200 Forty Eight FW Assembly</p>
<p>DRAWING NO:</p> <p>33018-7000-16-000-A</p>	