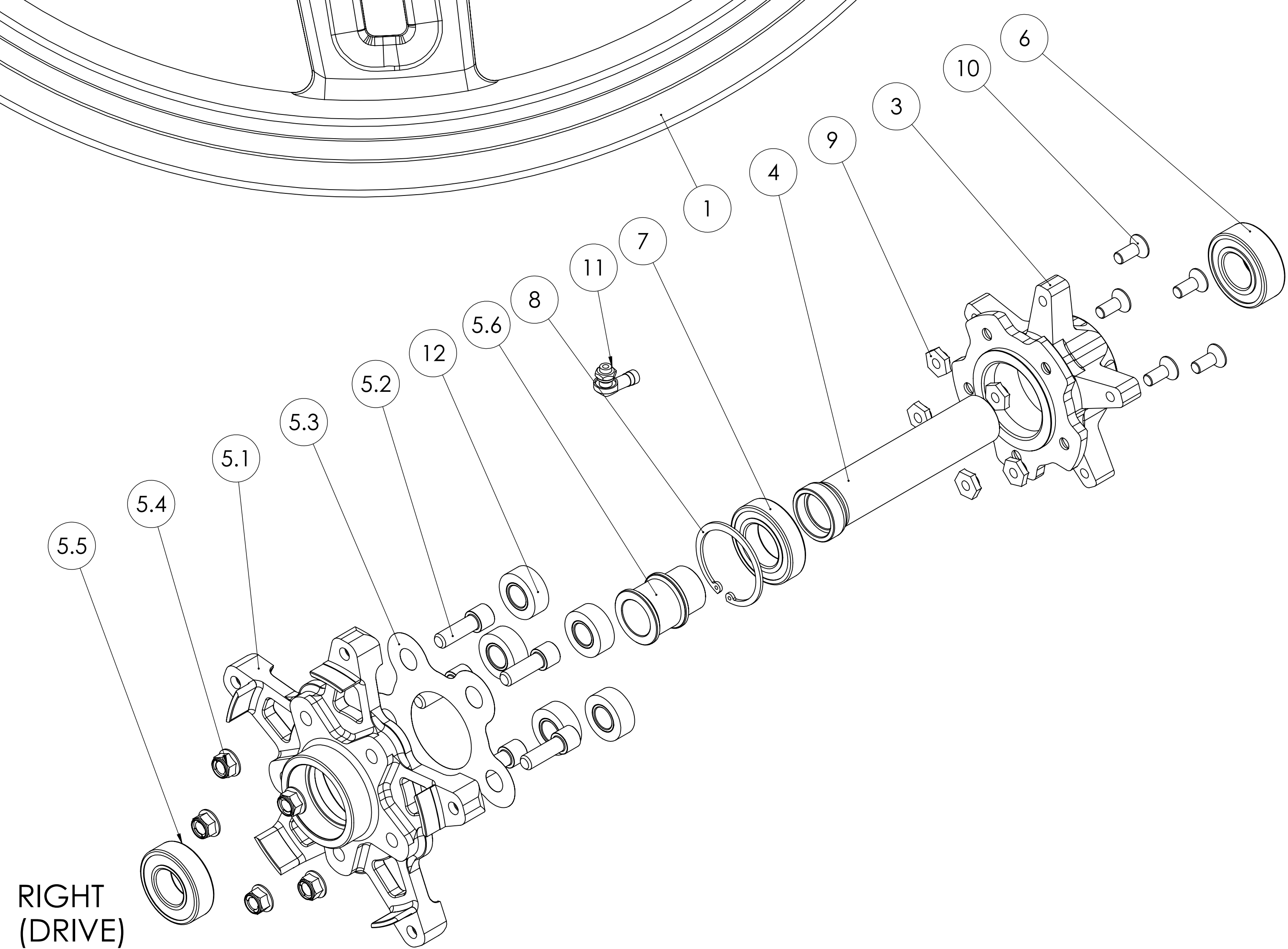
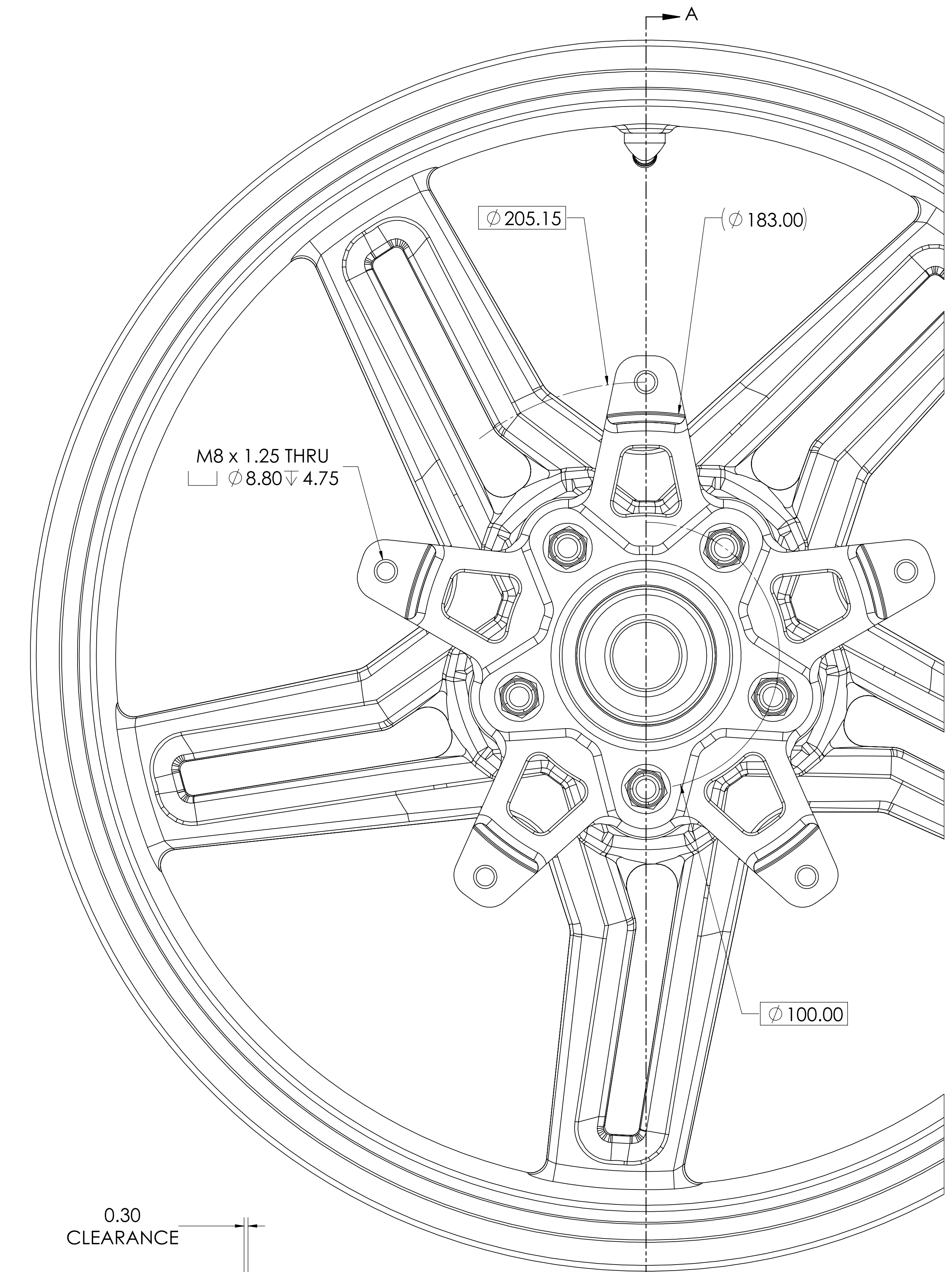
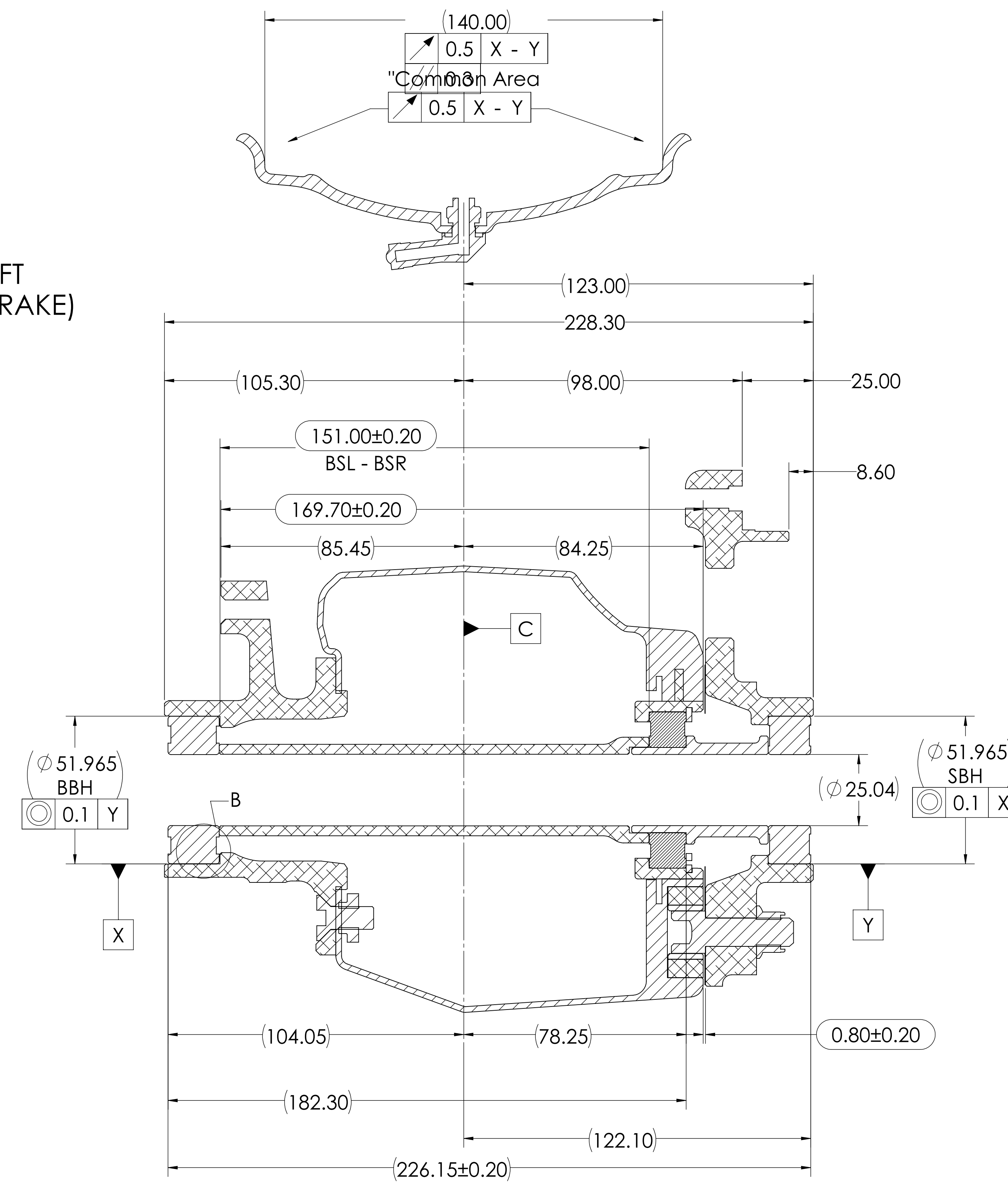


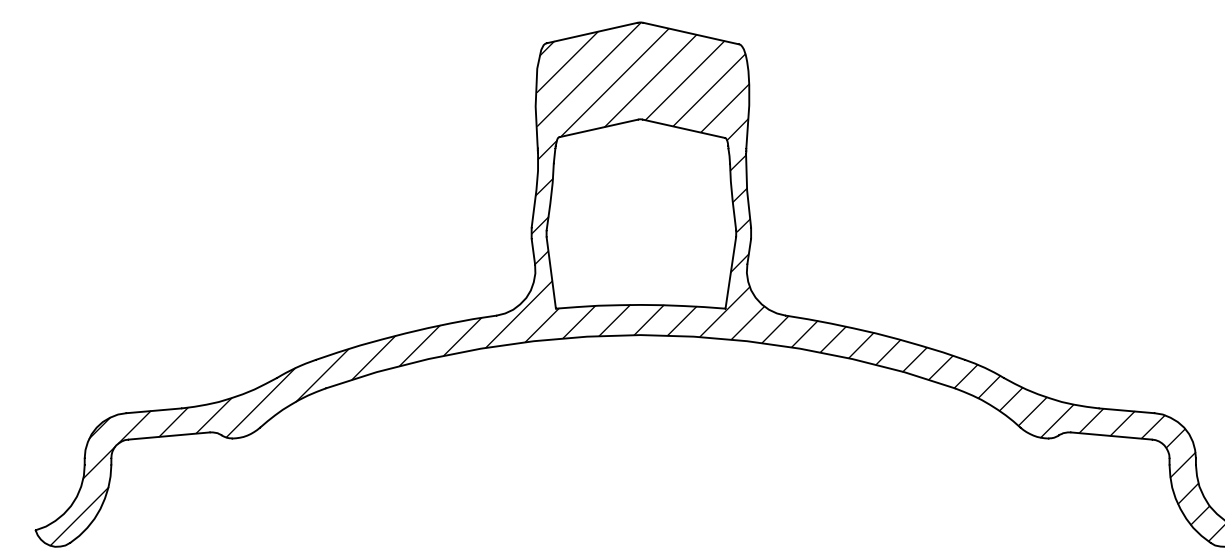
LEFT
(BRAKE)

RIGHT
(DRIVE)

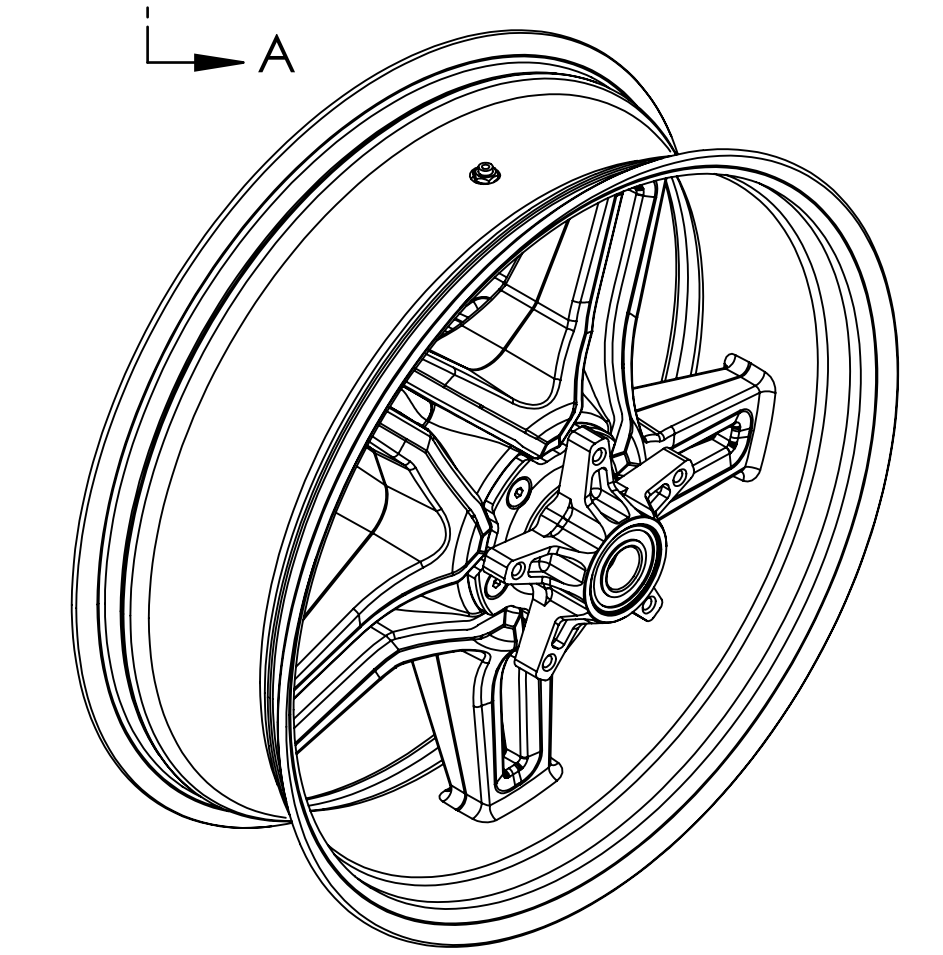
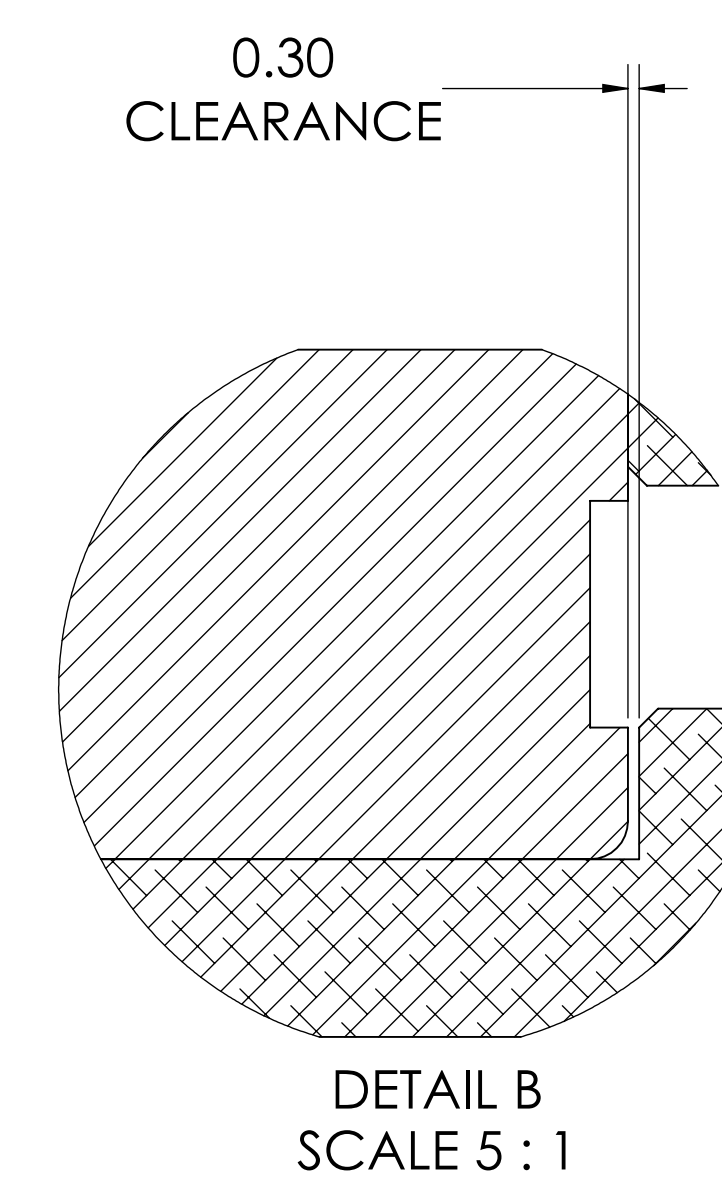



LEFT
(BRAKE)

RIGHT
(DRIVE)



SECTION A-A
SCALE 1 : 1



		PO BOX 1211 PARKLANDS 2121 TEL : +27 11 704 0026 FAX: +27 11 704 0031
DESCRIPTION HD LiveWire 2020 RT CRW Assembly Rev C		
DRAWING NO: 33030-8000-16-250-C		
RIM SIZE : 17" M/C x MT6"	SH1 1	