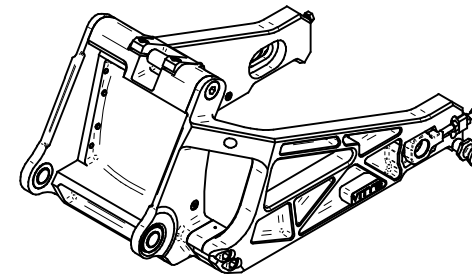
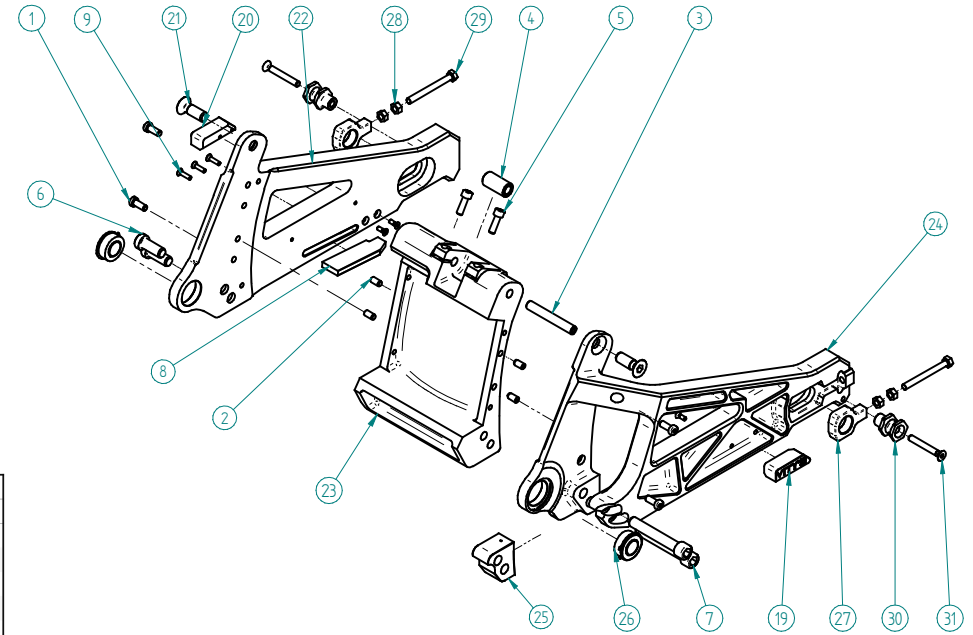
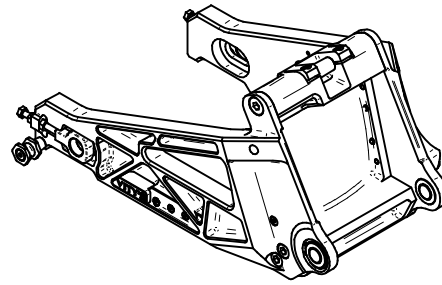
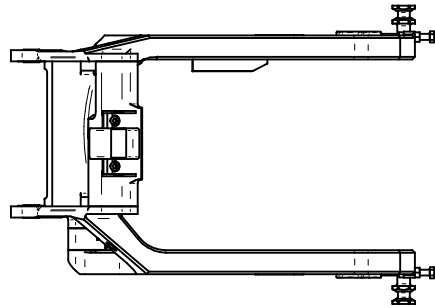


SEZIONE A-A



Number	Name	Torque	Quantity	Threadlocker
1	M8x20 Socket Head Cap Screw	13.87 ft-lb (18.8 Nm)	4	Red (Permanent)
2	8x16 Dowel Pin	N/A	4	N/A
3	Rear Shock Mounting Shaft	N/A	1	N/A
4	Rear Shock Bushing	N/A	1	N/A
5	M8x25 Socket Head Cap Screw (Pre-Installed)	13.87 ft-lb (18.8 Nm)	2	None
6	M14x35 Socket Head Cap Screw	74.74 ft-lb (101.34 Nm)	2	Red (Permanent)
7	M14x90 Socket Head Cap Screw	74.74 ft-lb (101.34 Nm)	2	Blue (Removable)
8	Anti-Rotation Brake Stop	N/A	1	N/A
9	M5x20 Flat Head Cap Screw	40 in-lb (4.53 Nm)	3	Red (Permanent)
12	M5x14 Flat Head Cap Screw (Logo Block Screws Pre-Installed)	40 in-lb (4.53 Nm)	4	*If Removed* Blue (Removable)
19	Vity's Logo Block Left (Pre-Installed)	N/A	1	N/A
20	Vity's Logo Block Right (Pre-Installed)	N/A	1	N/A
21	M14x40 Flat Head Cap Screw	74.74 ft-lb (101.34 Nm)	2	Blue (Removable)
22	Right-Side Swingarm Body	N/A	1	N/A
23	Center Swingarm Body	N/A	1	N/A
24	Left-Side Swingarm Body	N/A	1	N/A
25	Belt/Chain Access Block	N/A	1	N/A
26	Pivot Shaft Bearings (Pre-Installed)	N/A	2	N/A
27	Axle Adjuster Blocks	N/A	2	N/A
28	M8 Axle Adjuster Lock Nuts	N/A	4	N/A
29	M8x80 Axle Adjuster Screw	N/A	2	None
30	Swingarm Spools	N/A	2	N/A
31	M8x60 Flat Head Cap Screw	13.87 ft-lb (18.8 Nm)	2	Blue (Removable)
N/A	* M8x20 Flat Head Cap Screw Not Shown *	13.87 ft-lb (18.8 Nm)	2	Red (Permanent)