



Brock's Performance • 4064 E. Patterson Road • Dayton, OH 45430 • Phone: 937-912-0054 • Fax: 937-912-0062

## HAYABUSA (99-24) BrockSTAND™ PRODUCT INFORMATION

The Hayabusa BrockSTAND™ is designed to easily provide users with a full range of adjustability from 'ultra-slammed' drag to street applications using only a 4mm hex key.

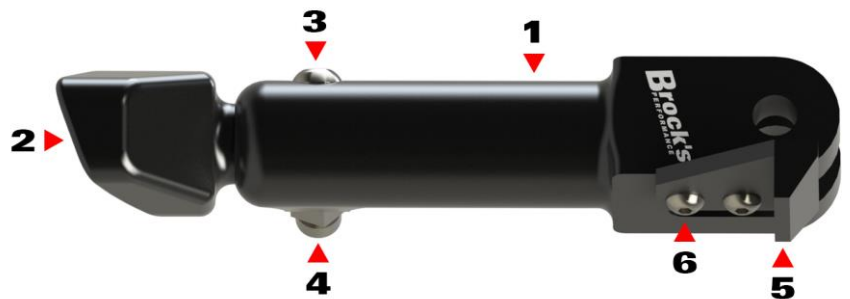
Adjustment ranges: **Road Version 0.00" to -1.50"** / **Track Version -1.50" to -3.50"**

**Attention:** When altering the factory set length of the kickstand threadlocker must be reapplied to the Adjustment Bolt (3). Brock's Performance will not warrant parts lost as a failure to do so.

### Package Contents:

Check Package Contents:

1. One (1) Black Anodized Body
2. One (1) Black Anodized Foot
3. One (1) Adjustment Bolt
4. One (1) Spring Mounting Stud
5. One (1) Safety Switch Plate
6. Two (2) Safety Switch Plate Mounting Bolts
7. One (1) Blue Threadlocker  
0.5ml (not shown)



If your package contents differ, please contact Brock's Performance at 937-912-0054.

*For additional installation support please refer to the OEM service manual.*

### Installation Notes:

- Install using the OEM kill switch, springs, and mounting hardware. See page 2 for side-stand installation and removal instructions from the OEM Hayabusa service manual.
- **Not compatible** with (22-24) Hayabusa stock exhaust system.
- When adjusting the foot length, blue threadlocker (supplied) **must be applied** to the threads of the Adjustment Bolt (3) before installation.
- Red threadlocker is applied to the Spring Mounting Stud (4) and Safety Switch Plate Mounting Bolts (6) during factory assembly. The Spring Mounting Stud (4) and Safety Switch Plate Mounting Bolts (6) should not be removed. In the event removal is required, apply red threadlocker to the threads before installation.
- **Installation Tip:** To ease spring removal/installation, fold the kickstand down to fully extend the spring. Place a penny between each of the open spring coils. When the kickstand is folded up, the spring will remain extended and be easier to remove/install.

## Side-stand Removal and Installation

### Removal

- 1) Support the motorcycle with a jack or wooden block.

#### ⚠ CAUTION

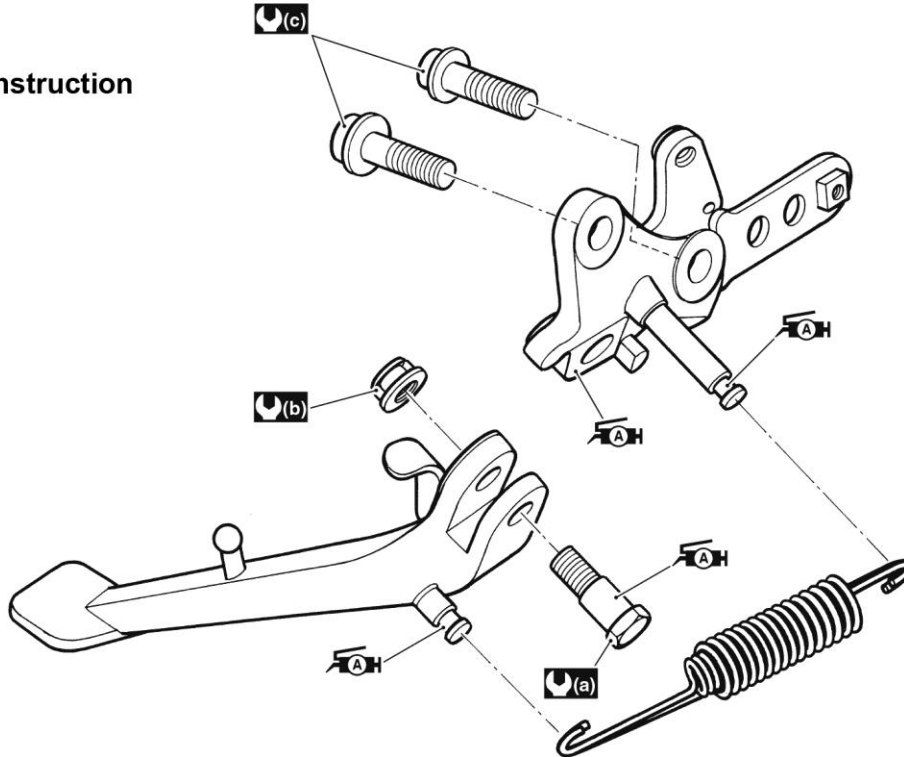
- 
- Do not support the motorcycle with the exhaust pipes.
  - Make sure that the motorcycle is supported securely.
- 

- 2) Remove the side-stand as shown in the side-stand construction. Refer to "Side-stand Construction".

### Installation

Install the side-stand as shown in the side-stand construction. Refer to "Side-stand Construction".

### Side-stand Construction



(a) : 50 N·m (5.0 kgf·m, 36.0 lb-ft)	(c) : 95 N·m (9.5 kgf·m, 68.5 lb-ft)
(b) : 60 N·m (6.0 kgf·m, 43.5 lb-ft)	AH : Apply grease to sliding surface.

**ALL BROCK'S PERFORMANCE PRODUCTS ARE DESIGNED FOR CLOSED-COURSE RACETRACK USE ONLY!**

For more information on Brock's Performance Warranty and Terms and Conditions:

**BrocksPerformance.com > Brock's Support > Customer Service > Terms and Conditions**

For Questions and Comments:

**BrocksPerformance.com > Brock's Support > Customer Service > Contact us or call 937-912-0054**